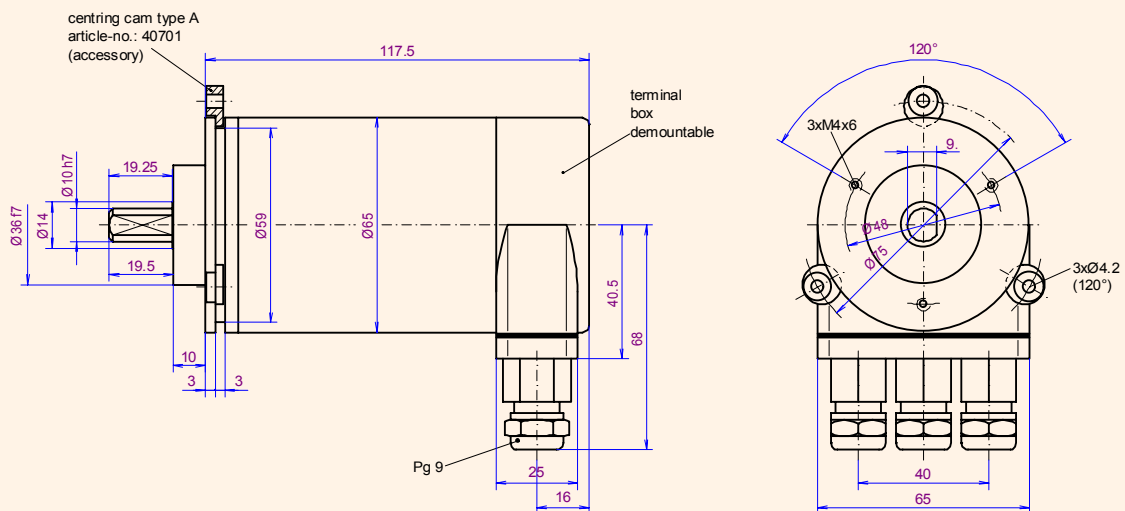
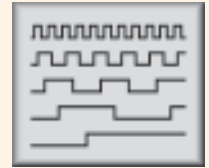


Absolute - Encoder PROFIBUS-DP ATD 3B B14 Y13



Qualities:

- Robust, single- resp. Multiturn-Absolute-Encoder
- **Programmable resolution:** up to max. 4096 steps per revolution
- **Programmable resolution:** up to max. 4096 shaft turns (only multiturn)
- **Programmable zero adjustment:** 2 Preset - input
- Centering seat $\varnothing 36$, mounting punch circle $\varnothing 48$
- Execution of interface **PROFIBUS - DP** according PNO-class 2
- Terminal-box detachable



ATD 3.. B14 Y13

drawing-no.: 026 - 31 Y13

Mechanical data:

Housing		light-alloy metal, black	
Design style	B14	B14	
Protective class	IP65	IP 65	according to DIN 40 050, IEC 529
Construction principle		LED with glas slotdisc	
max. speed (mechanical)	n_{max}	≤ 6000 rpm	
Admissible shaft load	axial	≤ 40 N	
	radial	≤ 60 N	(at shaft end)
Starting torque	at 20 ° C	≤ 2 Ncm	
Vibration	55... 2000 Hz	≤ 100 m/s ²	according to DIN IEC 68, Teil 2-6
Shock	11 ms	≤ 1000 m/s ²	according to DIN IEC 68, Teil 2-27
Moment of inertia (rotor)		approx. 25 gcm ²	
Shaft diameter	d	10 mm	
Weight		approx. 700 g	

Electrical data:

• Steps per revolution	<i>Single- / Multiturn</i>	XX	4096 (12 Bit) steps per revolution (factory setting) programmable up to max. 4096 steps per revolution
• Number of turns	<i>Multiturn</i>	YY	4096 (12 Bit) shaft turns (factory setting) programmable up to max. 4096 shaft turns
• Interface-driver		PB	PROFIBUS-DP protocol according to DIN E 19 245 T.3
• Data transmission		PN	programmable according to PNO Class 2
Baud-rate			9.6 kBaud to 12 MBaud
• Stationaddress			3 to 99 with decade switch ajustable
• Supply voltage:	U_B		11 - 27 VDC
• Loss efficiency (no load)	P_{max}		≤ 4 Watt
• Type of connection		3xPG9	detachable outlet with 3 x Pg 9, radial
• Terminating resister			terminating enabled about switching device
• Operating temperature range		S	0 °C to + 60 °C

Options:

- options upon request

Accessories:

Centring cam-set type A (3 pcs.)

article-no.: 40701-3

Connection table:

X1 - screw terminal 2-poles

PIN1 = Profibus DataA
PIN2 = Profibus DataB

X2 - screw terminal 2-poles

PIN1 = Profibus DataB
PIN2 = Profibus DataA

X3 - screw terminal 2-poles

PIN1 = US-Input for 1. Preset
PIN2 = US-Input for 2. Preset

X4 - screw terminal 2-poles

PIN1 = US-Supply
PIN2 = 0V-Supply

X5 - screw terminal 2-poles

PIN1 = 0V-Supply
PIN2 = US-Supply

Ordering example:

ATD 3B	B14	Y13	12/12	PB	PN	3xPG9	S	10	IP65
Absolut-Encoder ATD 3B	Design style B14	Mechanical variante Y13 = look at the drawing	Steps / rev. / no. of turn 4096 (12 Bit) steps/rev. 4096 (12 Bit) rev.	Datatransmission PROFIBUS-DP	Parameter setting according to PNO class 2	Type of connection outlet with 3 x Pg 9, radial	Operating temperature 0 °C to +60 °C	Shaft diameter 10 mm	Protective class IP 65