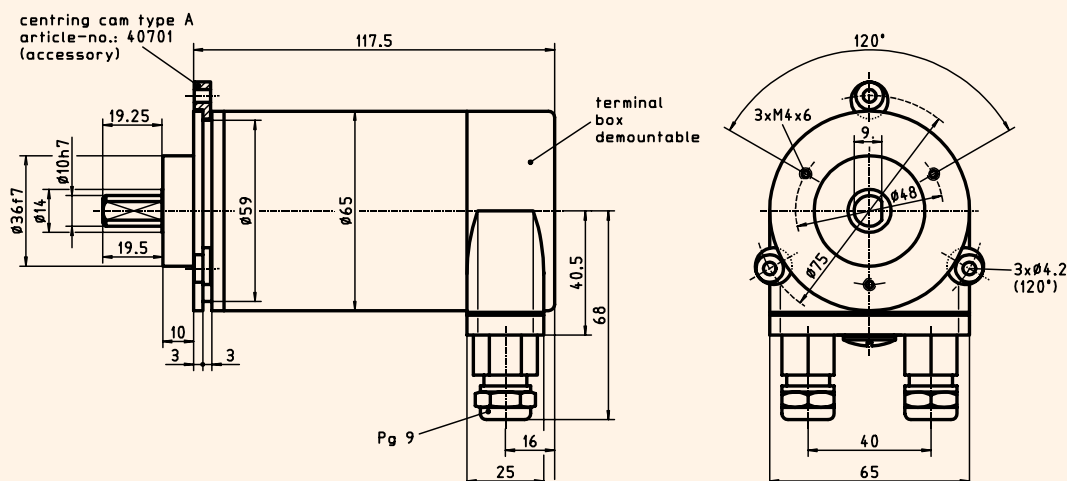
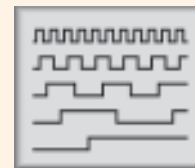


Absolute - Encoder **CAN-BUS** (CANopen-Profil) ATD 3B B14 Y14



Qualities:

- Robust, single- resp. Multiturn-Absolute-Encoder
- **Programmable resolution:** up to max. 4096 steps per revolution
- **Programmable resolution:** up to max. 4096 shaft turns (only multiturn)
- **Programmable zero adjustment:** Preset adjustment
- Centering seat $\varnothing 36$, mounting punch circle $\varnothing 48$
- Execution of interface **CAN - BUS** (CANopen-Profil)
- Terminal-box detachable



ATD 3.. B14 Y14

drawing-no.: 026 - 31 Y14

Mechanical data:

Housing		light-alloy metal, black	
Design style	B14	B14	
Protective class	IP65	IP 65	according to DIN 40 050, IEC 529
Construction principle		LED with glas slotdisc	
max. speed (mechanical)	n_{max}	≤ 6000 rpm	
Admissible shaft load	axial	≤ 40 N	
	radial	≤ 60 N	(at shaft end)
Starting torque	at 20 ° C	≤ 2 Ncm	
Vibration	55... 2000 Hz	≤ 100 m/s ²	according to DIN IEC 68, Teil 2-6
Shock	11 ms	≤ 1000 m/s ²	according to DIN IEC 68, Teil 2-27
Moment of inertia (rotor)		approx. 25 gcm ²	
Shaft diameter	d	10 mm	
Weight		approx. 700 g	

Absolute - Encoder **CAN-BUS** (CANopen-Profil) ATD 3B B14 Y14



Electrical data:

• Steps per revolution	<i>Single- / Multiturn</i>	XX	4096 (12 Bit) steps per revolution
• Anzahl der Umdrehungen	<i>Multiturn</i>	YY	4096 (12 Bit) shaft turns
• Interface-driver			CAN - wire remote bus interface
• Data transmission		CB	CAN-BUS driver (ISO / DIS 11898)
• Data protocol		CO	CANopen-Profil
• Baud-rate			20 kBaud, up to 2500 m cable length 125 kBaud, up to 500 m cable length 500 kBaud, up to 100 m cable length 1 MBaud, up to 25 m cable length
Stationaddress			0 to 63 with decade switch ajustable
Supply voltage:	U_B		11 - 27 VDC
Loss efficiency (no load)	P_{max}		≤ 4 Watt
• Type of connection		2xPG9	detachable outlet with 2 x Pg 9, radial
• Abschlußwiderstand			123 Ω, terminating enabled about switching device
• Operating temperature range		S	0 °C to + 60 °C

Options:

- options up on request

Accessories:

Centring cam-set type A (3 pcs.)

article-no.: 40701-3

Ordering example:

ATD 3B	B14	Y14	12/12	CB	CO	2xPG9	S	10	IP65
Absolut-Encoder ATD 3B	Design style B14	Mechanical variante Y14 = look at the drawing	Steps / rev. / no. of turn 4096 (12 Bit) steps/rev. 4096 (12 Bit) rev.	Datatransmission CAN-BUS	Data protocol CANopen -Profil	Type of connection outlet with 2 x Pg 9, radial	Operating temperature 0 °C to +60 °C	Shaft diameter 10 mm	Protective class IP 65