

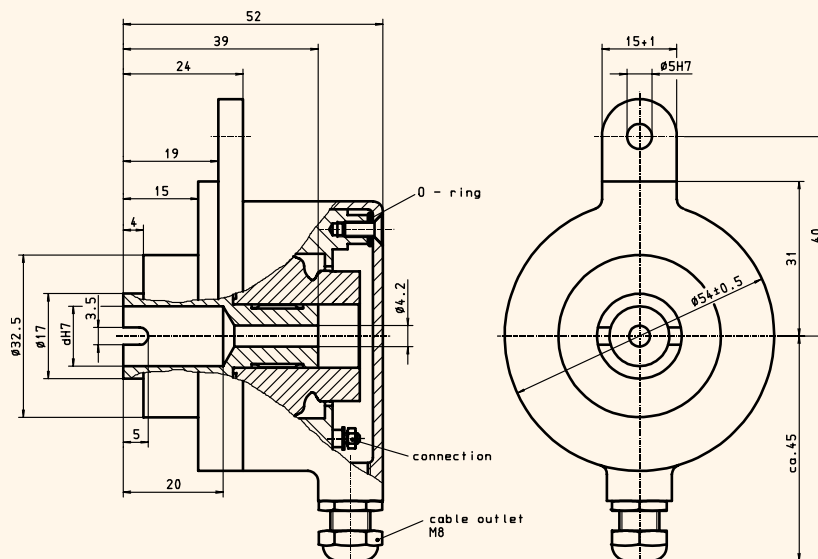
# DC tachogenerator

## KTD 2-... A 4 L



### Qualities:

- High reaction rate
- Large speed range
- Recognition of rotational direction
- Small percent ripple
- No power supply



KTD 2-... A 4 L

drawing-no.: 022 - 11

# DC tachogenerator

## KTD 2-... A 4 L



### Mechanical data:

Housing		plastic, black
Design style		A 4
Protective class		IP 55
Upper speed limit		8000 rpm
Hollow shaft diameter	$n_{max}$	12 mm
Rotor attachment	d	axial over screw
Weight		approx. 270 g

*according to DIN 40 050, IEC 529*

### Electrical data:

referenced to 1000 rpm

Type	Rated voltage [ V ]	Rated current [ mA ]	max. current [ mA ]	Load resistance [ kOhm ]	Amature winding [ Ohm ]
KTD 2-0,7	7	2,1	40	3,3	60
KTD 2-1 ...	10	1	25	10	85
KTD 2-1,5 ...	15	1	15	15	345

Polarity		dependent on rotational direction
Number of pole pair		2 = 4-poles
Number of grooves, segments		29
Grooves frequency		$f_N = 29 / 30 * n$
Reversing error		$\leq 0,4 \%$
Residual ripple		$\leq 0,6 \%$
Linearity error		$\leq 0,2 \%$
Regulation range lower limit	$n_R$	0 rpm
Temperature drift ( - 10 °C to + 100 °C )		$\pm 0,2 \%$ / 10 K

Type of connection		screw terminal, 2-poles
Isolation class		B
Carbon brushes		4 pieces AG 3,2 x 4 x 10
Carbon brushes life		approx. 40.000 hours of operation

### Options:

- Cable - version ( 2 x 0,5 mm<sup>2</sup> )
- Silver track in the collector